



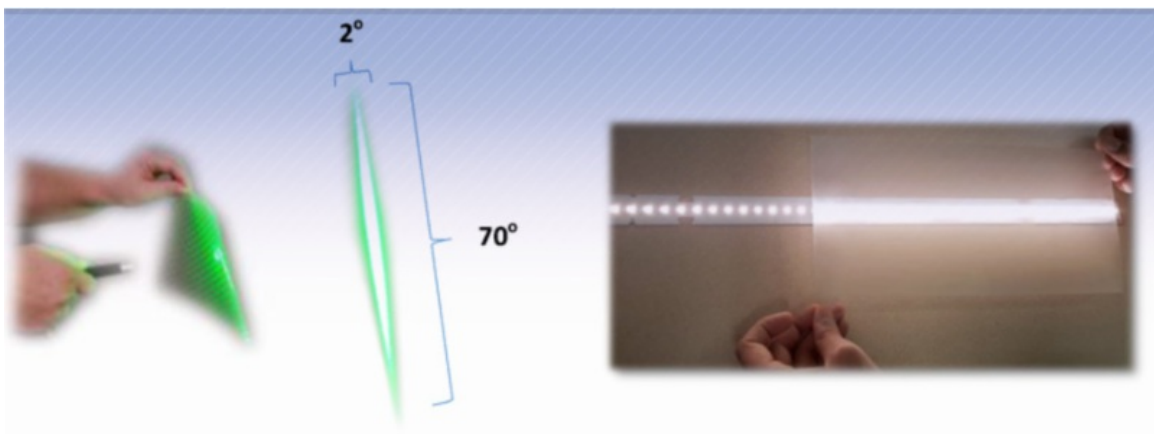
A manufacturer's representative with over 30 years experience serving the OEM lighting market.

Visit our website to learn more about the premier manufacturers we represent oemlightingsales.com.



WhiteOptics® 70° x 2° Elliptical Diffusor





The **DF7002** is a 70° x 2° elliptical diffusor microstructure that can be used to uniformly diffuse linear LED sources without affecting off-axis optical distribution. This creates a highly efficient asymmetrical diffusion that can be used in combination with linear, cove, wall wash, LED T-8 and other specialty applications.



[Learn More](#)



Power Sentry® Emergency Battery Backup

LED Solutions	 PS730 PS750	 PS1030 PS1050	 PS730L PS750L	 PS2333
90+ minutes of emergency operation	●	●	●	●
120-277 VAC universal input power	●	●	●	●
Output power	7W@10-30VDC 7W@10-50VDC	7W@10-30VDC 7W@10-50VDC	7W@10-30VDC 7W@10-50VDC	23W@10-33VDC
Size/form factor	L: 9.40" W: 2.19" H: 1.19"	L: 13.31" W: 2.19" H: 1.19"	L: 16.7" W: 1.18" H: 1.2"	L: 15.38" W: 5.63" H: 2.00"
Dry and damp location rated, sealed and gasketed fixtures	●	●	●	●
UL, NFPA, NEC, OSHA	●	●	●	●
5 year warranty	●	●	●	●

Fluorescent Ballast Solutions	 PSQ500	 PS600	 PS1400	 PSDL3	 PSL550	 PSL600	 PS3000
90+ minutes of emergency operation	●	●	●	●	●	●	●
120-277 VAC universal input power	●	●	●	●	●	●	●
Delivered lumen	450-550	600-700	800-1500	400-1070	425-825	600-1325	1100-3000
Lamps supported	T8, CFL	T8, CFL	T5, T5HO, T8, T8HO and CFL	CFL	T5, T5HO and T8	T5, T5HO, T8 and T8HO	T5, T5HO, T8, T8HO and CFL
Size	L: 9.40" W: 2.19" H: 1.19"	L: 9.40" W: 2.19" H: 1.19"	L: 13.31" W: 2.19" H: 1.19"	L: 14.5" W: 3.19" H: 1.69"	L: 18.5" W: 1.18" H: 1.18"	L: 21.5" W: 1.18" H: 1.18"	L: 15.38" W: 5.63" H: 2.00"
Dry and damp location rated	●	●	●	●	●	●	Dry location rated
Sealed and gasketed fixtures	●	●	●	●	●	●	●
UL, NFPA, NEC, OSHA	●	●	●	●	●	●	●
5 year warranty	●	●	●	●	●	●	●

Visit us at www.PowerSentrySafety.com for more information.

Sensor Switch..

Looking for a do it all wet location / cold storage sensor?

KEY OPTIONS

Occupancy Controlled Dimming (D)

- * Provides dimming output to control 0-10 VDC dimmable ballasts
- * Provides a second occupancy time-out period that enables the lights to go to dim setting before turning o (unless minimum dim setting ordered) * Adjustable max/min dim setting
- * Adds two 20 AWG wires

PHOTOCELL (P)

- * Auto set-point calibration
- * Two selectable modes of operation
- * On/Off mode: Photocell has full control during periods of occupancy
- * Inhibit mode: Photocell can prevent lights from turning o if adequate daylight is available, but cannot turn lights o

HVOLT (347- 480 VAC)

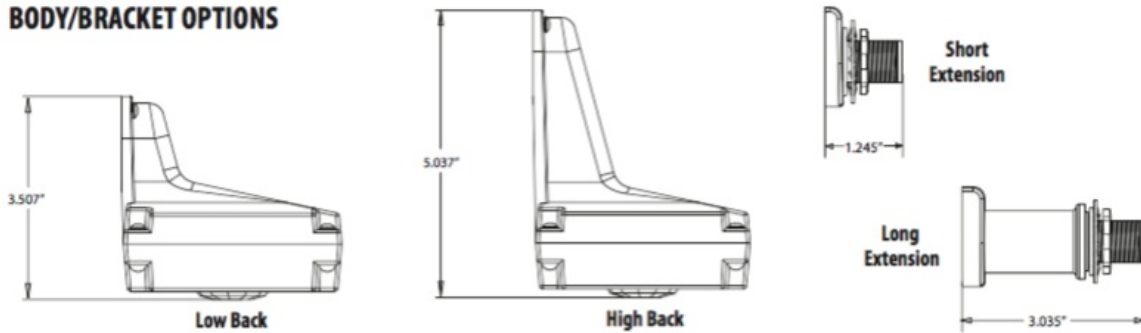
- * Allows sensor to be powered by and switch 347-480 VAC* *Safety Note: only one line phase is being switched

SBOR FAMILY

OUTDOOR POLE/FIXTURE MOUNT MOTION SENSOR:
360° COVERAGE, LINE VOLTAGE, IP66 RATED



BODY/BACKET OPTIONS



[Learn More](#)

MIRO® & MIRO-SILVER® 12 HD

Diffuse Oberflächen für LED-Anwendungen
Diffuse surfaces for LED applications



MIRO® & MIRO-SILVER® 12 HD

Our new diffuse reflecting surfaces MIRO® 12 HD & MIRO-SILVER® 12 HD are an instrument to dissolve LED light spots and to reduce luminance contrasts - thus perfectly suitable for glare control purposes.



Thermal management challenges? Contact us to help reduce the heat in your luminaire through the use of thermal gap pads.

TSG is an industry leader for die cutting services, such as flat bed, rotary and large

platen head die cutting for larger parts. Their products include gaskets, seals, electrical insulators, high temperature insulation, EMI-RFI Shielding, Thermal Management, and acoustical insulation.

These materials include, but are not limited to, acrylic foam tapes, fabrics, felt, foam, fiberglass, and ceramic insulation. We cut just about every type of rubber or plastic product available. Some include Polyurethane, EPDM, PVC, Neoprene, Cross Link Polyethylene, Polyether, Polyester, and Silicone.

Please forward quote requests and orders to: **orders@oemlightingsales.com**

Visit our website to learn more about our premier manufacturers:
www.oemlightingsales.com

Give us a call today!
718.321.0002

41-07 162nd St
Flushing, NY 11358